



SINGLE PLOUGH

Operation and Parts Manual

MODEL: DP16



DELEKS Srl

Via Industriale, 23 – 25028 - Verolanuova (BS) - ITALY

Phone: +39-030-6585725 - E-mail: info@deleks.com

www.deleks.com

Before using the machine, please read the manual carefully, ask your local dealer or manufacturer if you still have something unclear after you read it, this Manual is for user's reference, if the product has some changes, please according to the real item.

TO THE CUSTOMER

The purpose of this manual is to train the user to a correct use of the agricultural implement in compliance of safety rules in order to prevent injury and to safeguard the health.

This manual contains valuable information about your new plough. It has been carefully prepared to give you helpful suggestions for operating, adjusting, and servicing. Keep this manual in a convenient place for quick and easy reference. Study it carefully, only by proper care and operation can you expect to receive the service and long life designed and built into this plough.

It is the owner's and/or operator's responsibility to...

- Read and understand the information contained in this manual.
- Operate, lubricate, assemble and maintain the equipment in accordance with all instructions and safety procedures in this manual.
- Inspect the equipment and replace or repair any parts that are damaged or worn which could cause damage, wear to other parts, or cause a safety hazard.
- The warnings, cautions and instructions discussed in this instruction manual cannot cover all possible conditions and situations that may occur
- It must be understood by the operator that common sense and caution are factors which cannot be built into this product, but must be supplied by the operator.

NORMATIVE REFERENCE

This manual have been wrote in compliance of the following law:

Directive 89/392/C and amended UNI EN 292/2 – 1992. DPRN. 547 27/04/55 – work's safety rules.

HOW TO READ AND USE THIS MANUAL

This manual is a part of the machine and of the initial provision.

That means it must be kept for all machine's life, also in case of selling of that one to others.

Further copies of this manual, must be requested throw buying order to the manufacturer or its dealer.

It is not allowed to use the machine without a previous careful reading of this manual, only trained operators may use it.

The employer is responsible for the disclosure of this document to all the employees who

will work with the machine.

The operator, after following what is written in this manual, must follow the general safety rules as in law prescriptions of destination's country.

It is strictly prohibited to make whatever kind of modifications to the machine or to this technical document.

GENERAL INFORMATIONS

IDENTIFICATION DATA OF THE AGRICULTURAL IMPLEMENT

The manufacturer's identification is made in conformity of the legislation through the following points (Picture 1):

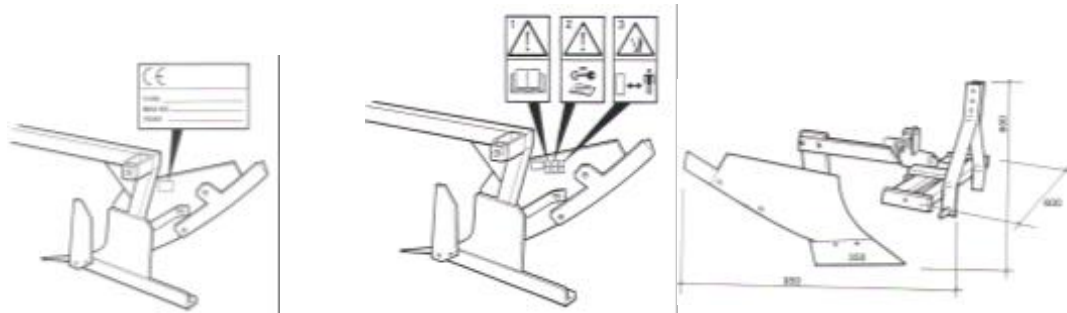
- Declaration of conformity
- CE mark
- User manual

DANGER WARNINGS

The agricultural implement is equipped with pictograms which recall risks.

On (Picture 2) is indicated the points where the labels are located.

On (picture 3) are indicated the machine's sizes



(Picture 1)

(Picture 2)

(picture 3)

AFTER DELIVERY INSPECTION

- The delivered items should be which are ordered
- Missing or damaged parts due to transport should be communicated to the manufacturer

CAUTION

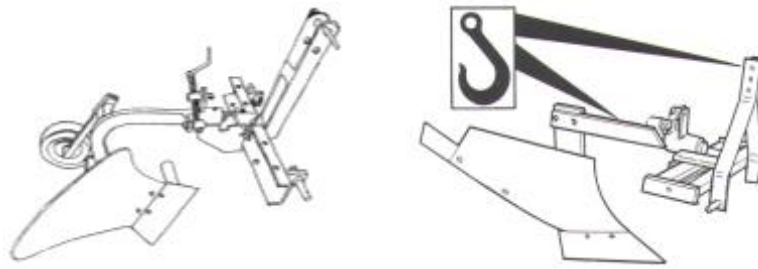
All the data and sizes are not bounded, the manufacturer reserves the right to modified them without former communication.

Any modifications will be communicated by further technical forms.

TRANSPORT OF THE MACHINE

To transport the items, it is necessary to follow the packing requirements.

As in (picture 4)

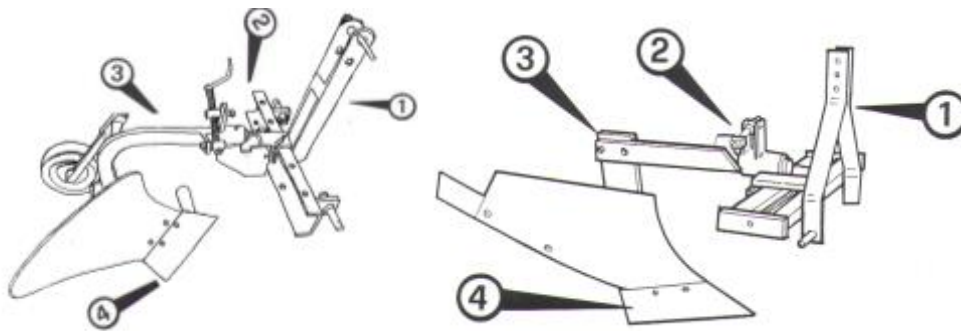


(picture 4)

IMPORTANT

To lift the items it is necessary to use ropes appropriate to the weight of the item.
 Check that ropes are not worn.
 Lift the load gently and in case of sharp edges, protect the rope with packing material.

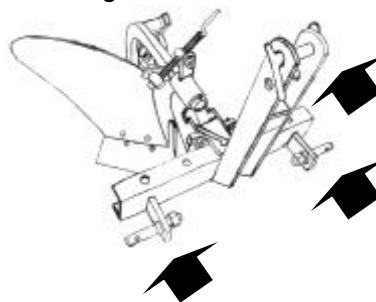
DESCRIPTION OF THE MACHINE



- | | |
|--------------------|----------|
| 1. 3 point linkage | 3. Frame |
| 2. Settings | 4. Blade |

MOUNTING TO THE TRACTOR

The machine must be on flat terrain, the machine's feet must safely support it, so that the operator could easily fit the third point linkage.



MAINTENANCE

- A Check each 2 working hours the overturning pin N° 1
- B Before start working with the machine, check the hook N° 2. In case that hook is worn, replace it with a new one.

- C For the hydraulic model, check the hydraulic system before to start work.
- D Check the linkage pins.

SPARE PARTS ORDERS

To help a prompt and correct supply of spare parts, the order should indicate:

Model of implement

Quantity for each part

Part's code as in table

Description of the part

Delivery date of the implement

SAFETY DECAL LOCATIONS

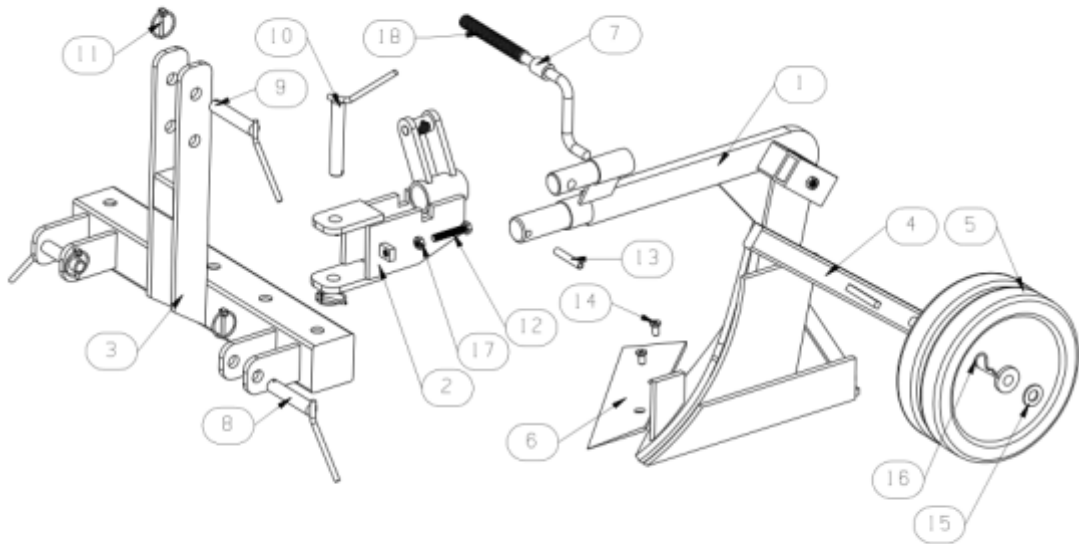
The safety decals and positions on the equipment are shown in the illustration below.

Good safety requires that you familiarize yourself with the various safety decals, the type of warning and the area or specific function related to that area that requires your SAFETY AWARENESS.

REMEMBER: IF the safety decals have been damaged, removed, become illegible or parts have been replaced without decals, new safety signs must be applied. New safety signs are available from your authorized dealer, distributor or factory.



SINGLE PLOUGH PARTS DIAGRAM



NO.	Name	Quantity
1	Plough Frame	1
2	Axle frame	1
3	3Point	1
4	Wheels support	1
5	Wheels	1
6	Plough blade	1
7	Adjustable pins washer	1
8	Bottom Pins	2
9	Top Pins	1
10	Locked Pins	1
11	Lock pins	1
12	Bolts	2
13	Alxe Pins	1
14	Blade Pins	2
15	Washer	1
16	R pins	1
17	Nuts	2
18	Adjustable Pins	1